

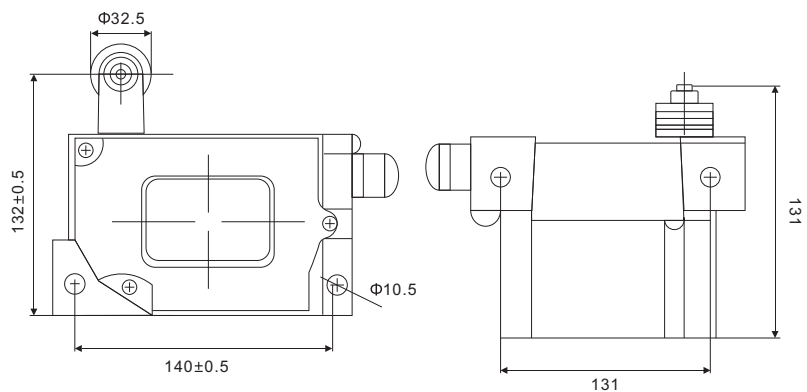
LX205 Series Limit Switch 系列行程开关

LX205系列限位开关适用于交流50Hz；额定工作电压至380V,直流额定工作电压至220V的控制线路中作为移动机械平移机构的行程限制及终端保护。该产品符合GB14048.5-2001标准。

LX 205 series limit switch is used in control loop with AC 50HZ; rated voltage 380V, DC rated voltage at least 220V as machine moving, travel, limit and terminal protection. It is complied with GB048.5-2001 standard.

使用类别Use type	AC-12	AC-15		DC-13	
额定工作电压 Rated working voltage (Ue)	AC380	AC380	AC220	DC220	DC110
额定工作电流 Rated working current (Ie)	16	1.9	3.27	0.31	0.63
约定发热电流 Rated heating current (A)	20	20		10	
额定绝缘电压 Rated insulation voltage (Vi)	500				
防护等级 Protection degree	IP54				

LX205-1/200



LX205-2/200

